

HG5 Ordinary glass tube level meter

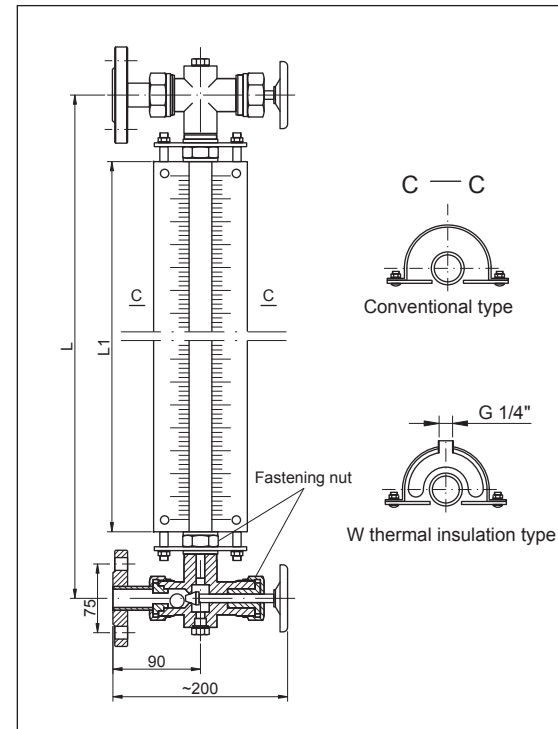
Summary

HG5 ordinary glass tube level meter is mainly suitable for indicating directly the level height of media in various vessels, such as jar, tower, trough, tank etc. It's featured with simple structure and convenient service. There are safety steel balls installed in the upper and lower valve of the instrument, when the glass breaks accidentally, the steel balls under the pressure in the vessel will automatically seal to stop the liquid flowing out.

Technical parameters

Measuring range: 300 ~ 3000mm
Working pressure: -0.1 ~ 1.6MPa
Working temperature: -20 ~ 180℃
Steam jacket pressure: 1.0MPa
Steam jacket joint: G1/2" external thread
Indicating range: Flange center distance L-200mm
Process connection: HG20592 ~ 20635-97 DN20 ~ DN50
The material touching the liquid: Carbon steel, stainless steel
<input type="checkbox"/> High borosilicate glass tube <input type="checkbox"/> Quartz glass tube
Steel balls sealing automatically pressure: ≥ 0.2MPa
Sewage valve: Ball valve, needle valve

Note: Other flange standard (e.g. GB, JB/T, HGJ, ANSI, DIN etc.), users should note it in the order.



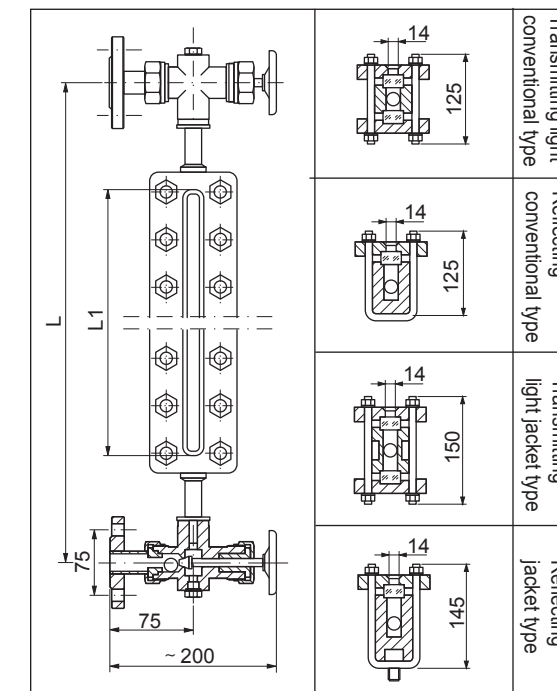
Type selection chart

	<input type="checkbox"/> HG5-□	Ordinary glass tube level meter	
	<input type="checkbox"/> □	I <input type="checkbox"/> Carbon steel	Main body material
	<input type="checkbox"/> □	II <input type="checkbox"/> Stainless steel: 304, 1Cr18Ni9Ti	
	<input type="checkbox"/> □	III <input type="checkbox"/> Stainless steel: 316, 316L	
	<input type="checkbox"/> □	<input type="checkbox"/> 06 <input type="checkbox"/> Flange nominal pressure 0.6MPa	Rated pressure
	<input type="checkbox"/> □	<input type="checkbox"/> 10 <input type="checkbox"/> Flange nominal pressure 1.0MPa	
	<input type="checkbox"/> □	<input type="checkbox"/> 16 <input type="checkbox"/> Flange nominal pressure 1.6MPa	
	<input type="checkbox"/> □	<input type="checkbox"/> 20 <input type="checkbox"/> Flange bore DN20 or 3/4"	Process connection
	<input type="checkbox"/> □	<input type="checkbox"/> 25 <input type="checkbox"/> Flange bore DN25 or 1"	
	<input type="checkbox"/> □	<input type="checkbox"/> 50 <input type="checkbox"/> Flange bore DN50 or 2"	
<input type="checkbox"/> □	<input type="checkbox"/> FF <input type="checkbox"/> Flange sealing surface FF	Flange sealing surface	
<input type="checkbox"/> □	<input type="checkbox"/> RF <input type="checkbox"/> Flange sealing surface RF		
<input type="checkbox"/> □	<input type="checkbox"/> M <input type="checkbox"/> Flange sealing surface M		
<input type="checkbox"/> □	<input type="checkbox"/> -□□ Measuring range, unit mm	Measuring range	
<input type="checkbox"/> □	<input type="checkbox"/> W <input type="checkbox"/> Steam heating	Heat tracing options	
<input type="checkbox"/> HG5-□	<input type="checkbox"/> □ □ □ □ □ □ □ □ □ □		

HG5 Glass plate level meter

Summary

HG5 Glass plate level meter is made according to standard HG5-1364-80. It's featured with simple structure, convenient maintenance, safety, reliability and other characteristics and widely used to measure the liquid level in petroleum, chemical industry and other industrial areas.



Structure principle

The installation flange on the upper and lower end of level meter connected with vessel to compose a communicating vessel, the actual level height in the vessel can be read directly through the glass.

Structure of level meter mainly includes transmitting light and reflecting.

There are safety steel balls installed in the upper and lower valve, when the glass plate damages accidentally, the steel balls under the pressure in the vessel will automatically seal to stop the liquid flowing out.

Technical parameters

Measuring range: 500, 800, 1100, 1400, 1700... (mm)
Working pressure: 2.5, 4.0, 6.3MPa; 0.6MPa (Suitable for R type)
Working temperature: (-20 ~ 250)℃
Valve sealing automatically manometer ≥ 0.2MPa
Process connection: HGJ46-91 DN20 PN4.0 or PN6.3 convex
<input type="checkbox"/> Other flange standard (e.g. GB, HG, JB/T, ANSI, DIN etc.), users should note it in the order.
The material touching the liquid: Heat-resistant carbon steel; Stainless steel

Type selection chart

	<input type="checkbox"/> HG5-□	Glass plate level meter	
	<input type="checkbox"/> □	A <input type="checkbox"/> Plane Flange	
	<input type="checkbox"/> □	B <input type="checkbox"/> Convex Flange	
	<input type="checkbox"/> □	T <input type="checkbox"/> Transmitting light	Basic type
	<input type="checkbox"/> □	R <input type="checkbox"/> Reflecting	
	<input type="checkbox"/> □	<input type="checkbox"/> Nominal pressure	Rated working pressure
	<input type="checkbox"/> □	I <input type="checkbox"/> Carbon steel	Main material Attachments
	<input type="checkbox"/> □	II <input type="checkbox"/> 1Cr18Ni9Ti or 304SS	
	<input type="checkbox"/> □	III <input type="checkbox"/> Carbon steel+stainless steel (only suitable for R type)	
	<input type="checkbox"/> □	<input type="checkbox"/> L = mm	Measuring range
<input type="checkbox"/> HG5-□	<input type="checkbox"/> □ □ □ □ □ □ □ □ □ □		